



TECHNICAL SERVICE BULLETIN



Date May 1981

ITEM T81/08

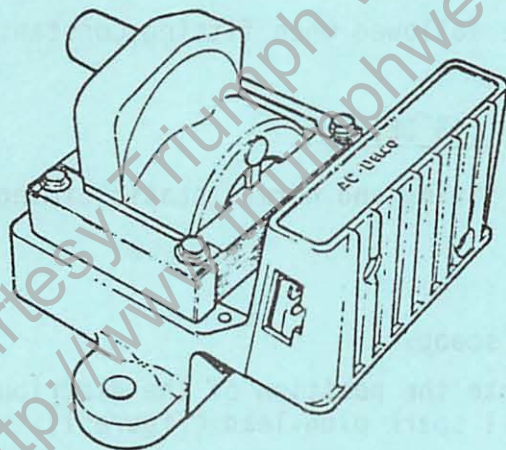
SUBJECT: AC DELCO ELECTRONIC IGNITION COIL/MODULE

MODELS: TR7 (from engine #CV30570)

The electronic ignition module fitted into the heat sink on the ignition coil assembly is available as a separate unit. The part number for the module is JRT 601011.

Complete coil assemblies must not be replaced for suspected failure of the module.

Technical Service Bulletin T80/025 issued in Sept/Oct 1980 refers to intermittent ignition failure due to poor connections in the moulded plug. The plug and connections must be thoroughly checked before assuming the module to be at fault.



Please add the following information to the Triumph Repair Operation Times Book, part number HAC 52G1, and advise all personnel concerned:-

Operation 86.35.35 - Remove/Replace Ignition Module - 0.40 hours

H.C.T.